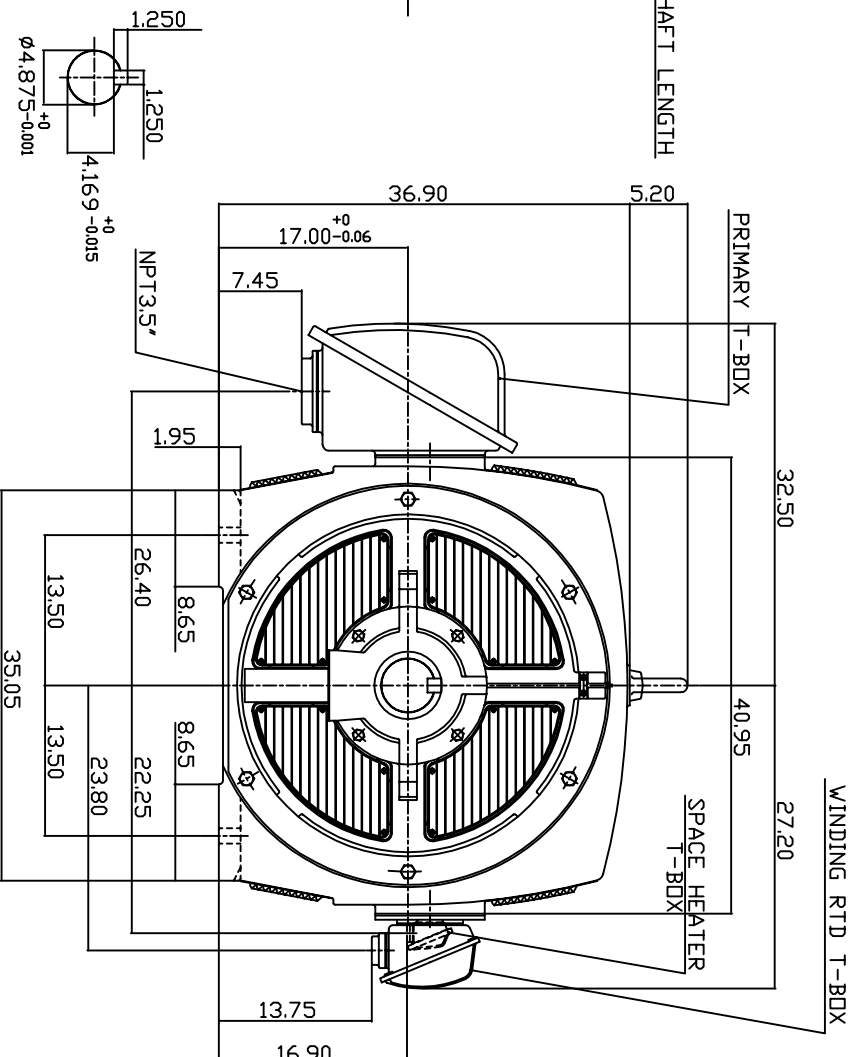
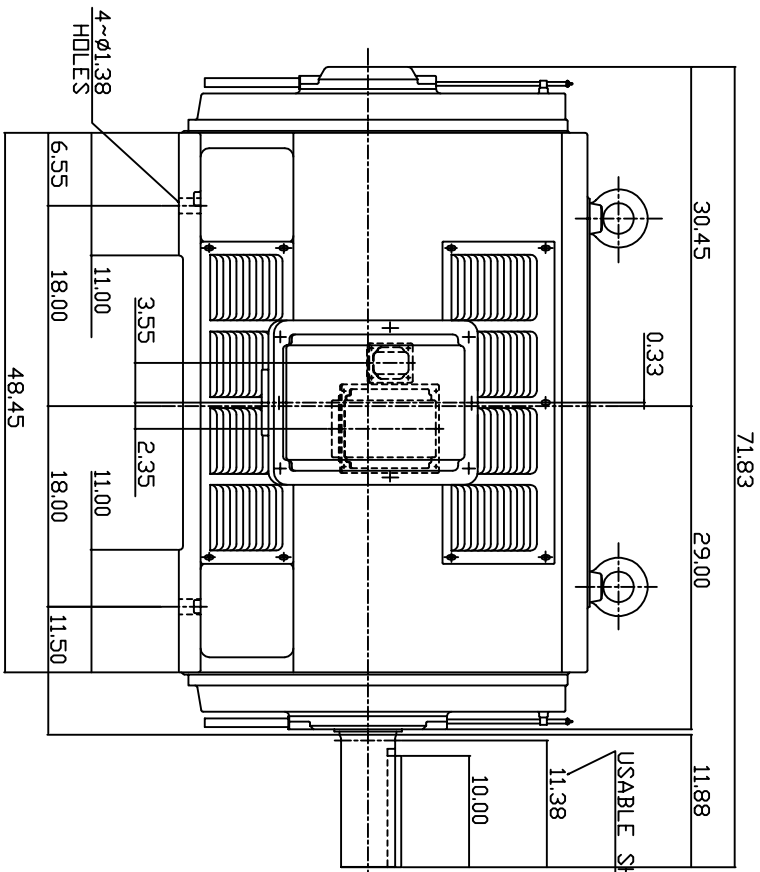


TYPE	OUTPUT		POLE	TIME RATING	VOLTAGE	Hz	SYN. SPEED R.P.M.
	HP.	KV.					
ASHA-PA	800	597	8	CONT.	2300/4160	60	900

WEATHER PROTECTED TYPE I. SQUIRREL-CAGE ROTOR



NOTE: 1. DIMENSIONS IN INCH.

2. FRAME NO. 6808C
3. F CLASS INSULATION, SF.115
4. FOR BELT DRIVE APPLICATIONS
5. WITH SPACE HEATER 120 VOLT SINGLE PHASE 300 WATTS
6. 100 DHM PLATINUM WINDING RTD'S 2/PHASE
7. BEARING SIZE: DRIVE END: NU326
NON-DRIVE END: 6322
8. MOTOR APPROX. WEIGHT: 8400 LBS

TW-66C

DVN.	W.LLIN	APR-17-2003
CHKD.	W.LLIN	APR-17-2003
APPD.	C.WANG	APR-17-2003

DATE	MAY 6, 2004	OUTLINE DIMENSIONS
CATALOG NO.	P8008R	3-PHASE INDUCTION MOTOR



DWG NO. 3A040T3904 REV: 00